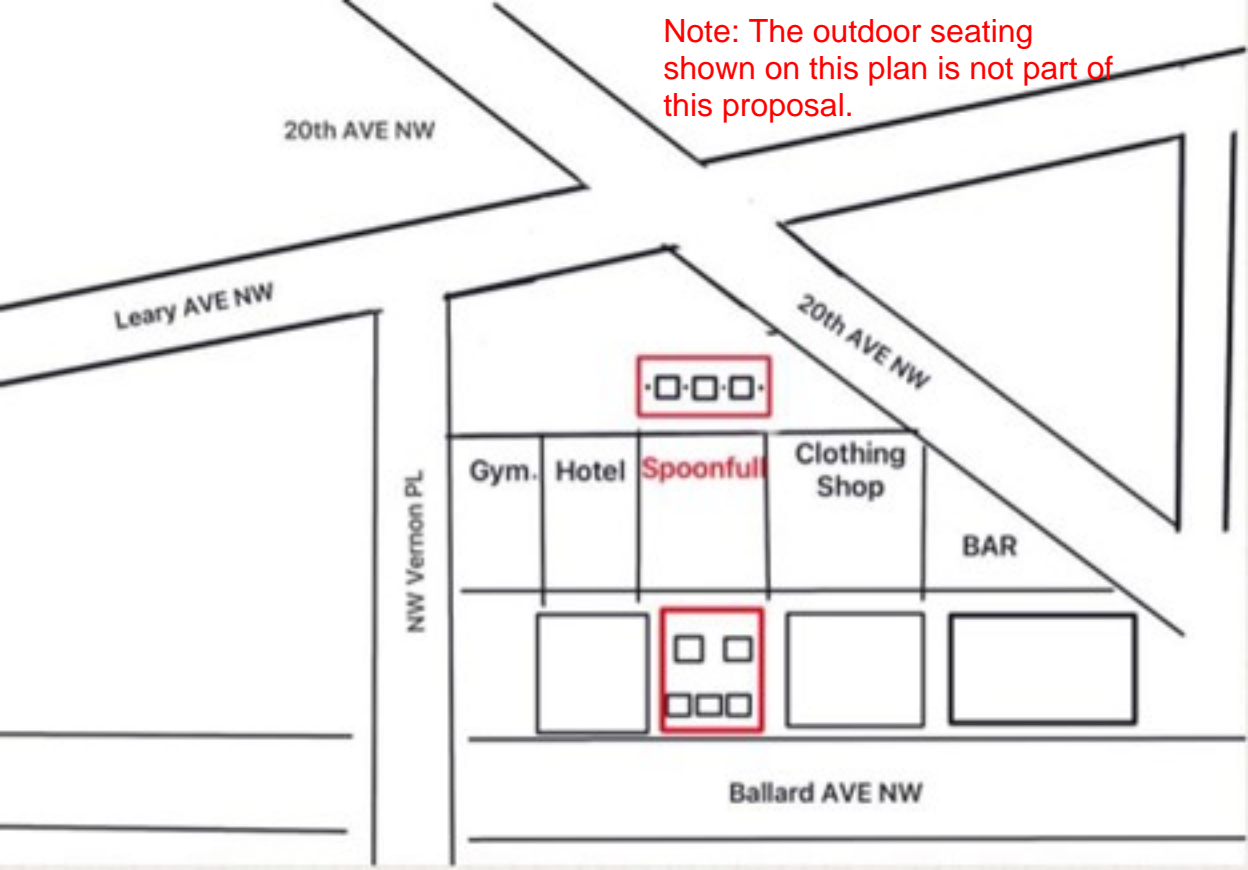


Note: The outdoor seating shown on this plan is not part of this proposal.



20th AVE NW

Leary AVE NW

20th AVE NW

NW Vernon PL

Gym.

Hotel

Spoonfull

Clothing Shop

BAR

Ballard AVE NW

## Spoonfull Thai kitchen & Bar

-Provide a site plan (a map)

-We will paint at the front using black color (SEMI-GLOSS) (\*) all in front except the windows and we will have a blade sign. It is made from Aluminum size 39"x 39" we will hang on the same spot from Wero and put 2 a Logo sticker 20"X20" on the windows.

\*\*Location on

Ballard AVE NW\*\*

-We will add a new spot to hang a blade sign size 24"x24" in the back. It is made from Aluminum, and we will put a logo sticker size 16"x16" on the window. no new paint we will use to old color. \*\*Location on 20<sup>th</sup> AVE NW\*\*









We will change the yellow highlights area to the black color

Glidden Premium

36

**1 gal. Semi-Gloss Latex Base 3  
Exterior Paint**

★★★★★ (396) ✓



We use this semi-gloss Base 3 Exterior Paint for front door.

## YOUR SELECTED COLOR

Black



**Black Magic  
PPG1001-7**

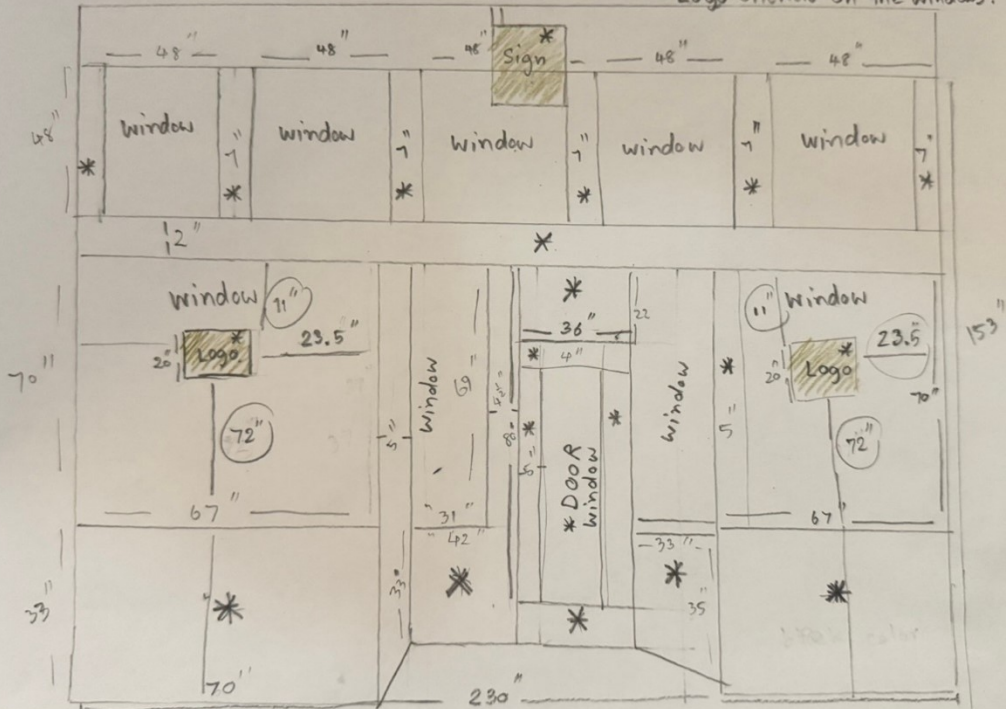
This is the sample of color we will use it.



[P.S. \* All black color]

Front door

- We will paint black color all
- \* except the windows
- We have a blade sign and 2
- Logo stickers on the windows.



BALLARD AVE NW

Back door No any new paint  
\* add a blade sign and logo sticker on the window



20<sup>th</sup> AVE NW





Spoonfull

THAI KITCHEN

# PROJECT NAME : 2 New blade sign + logo window

Back sign Aluminum face 24"x24"



Front sign Aluminum face 39"x39"



3 Logo window 16"x16", and 20"x20"



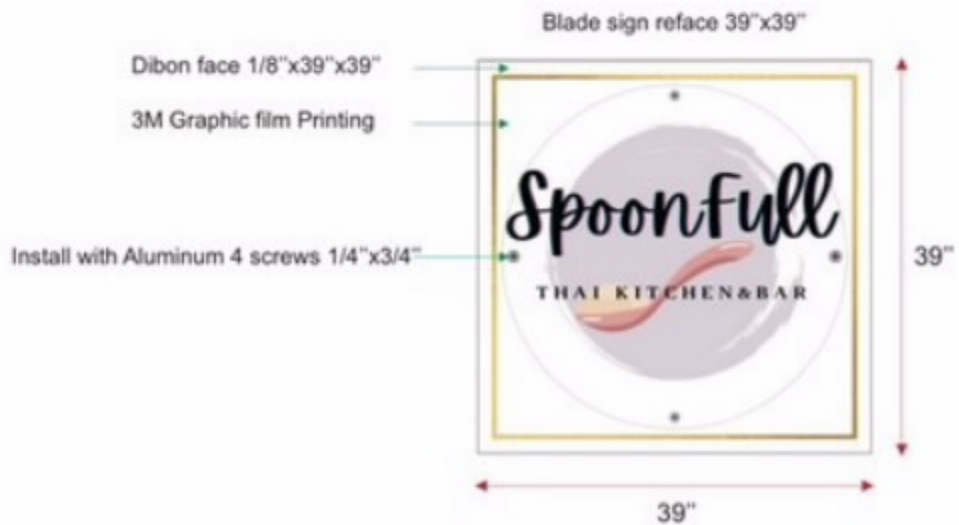
We will use the old one from Wero hanger to put a new sign (39" x 39").

This is a Blade sign and nonlight Just reface it.

Blade sign Before



Blade sign After reface

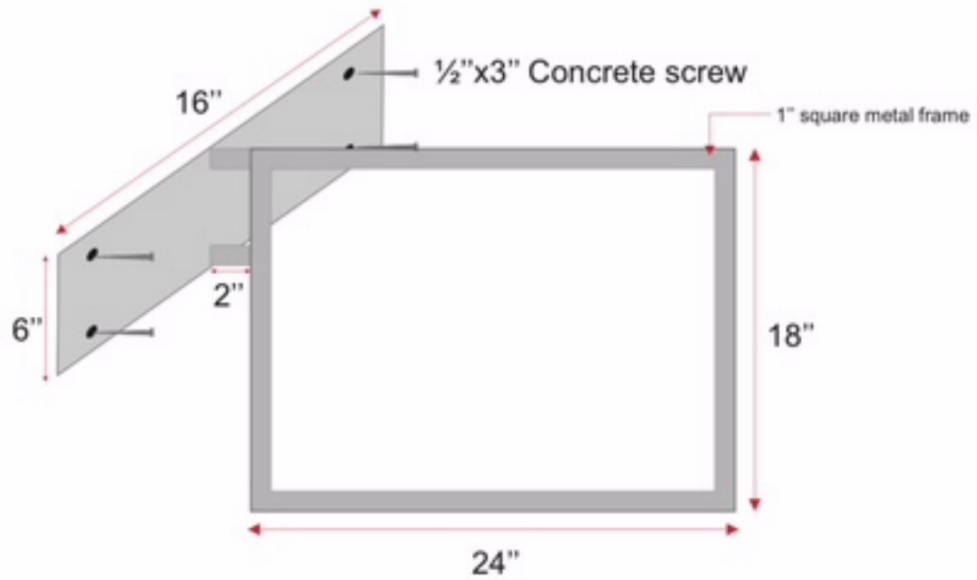


We will add another new sign to put in the back door (24" x 24")





## Metal frame for Blade sign ( back side )



## Back sign Aluminum face 24"x24"

