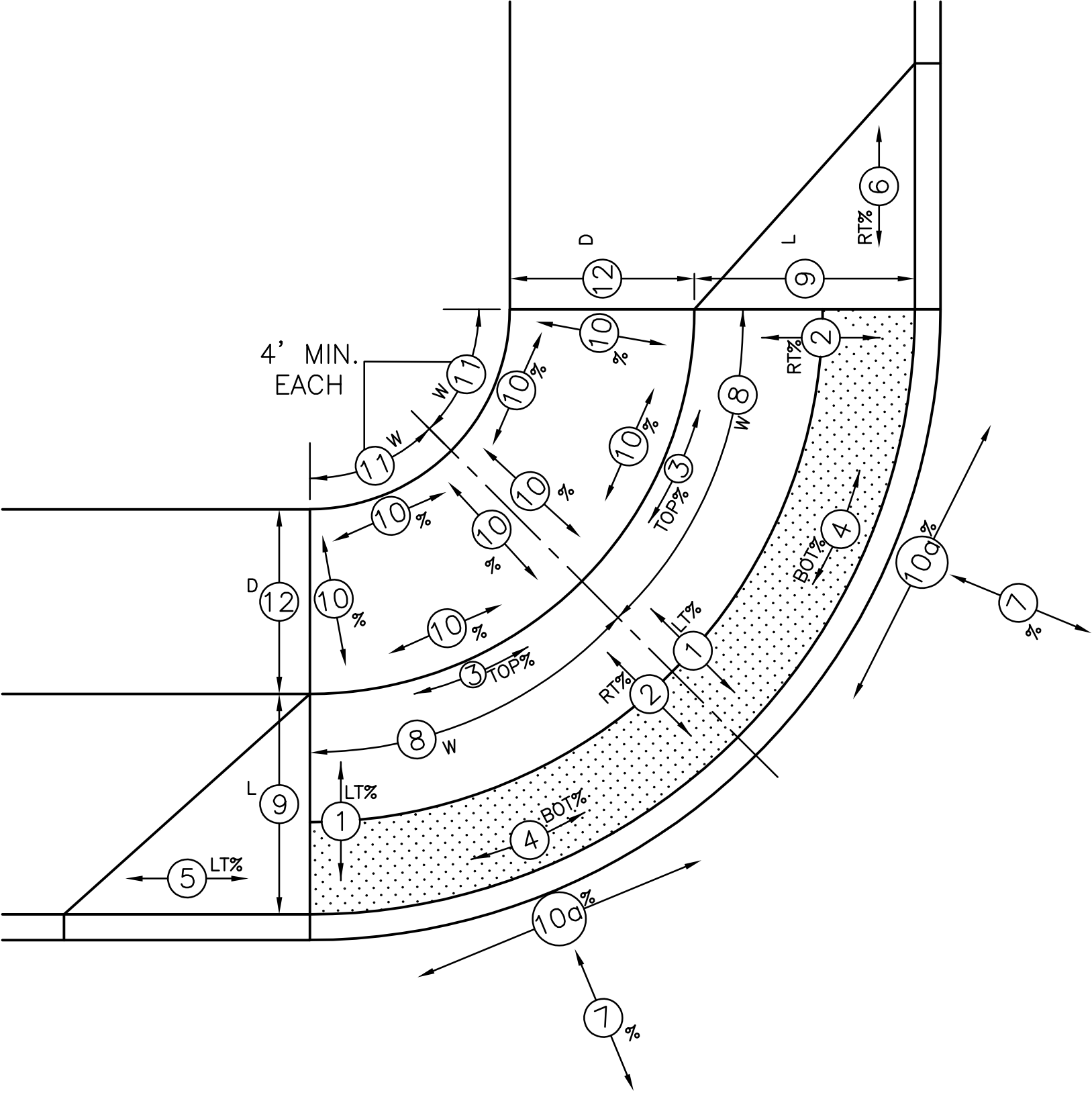
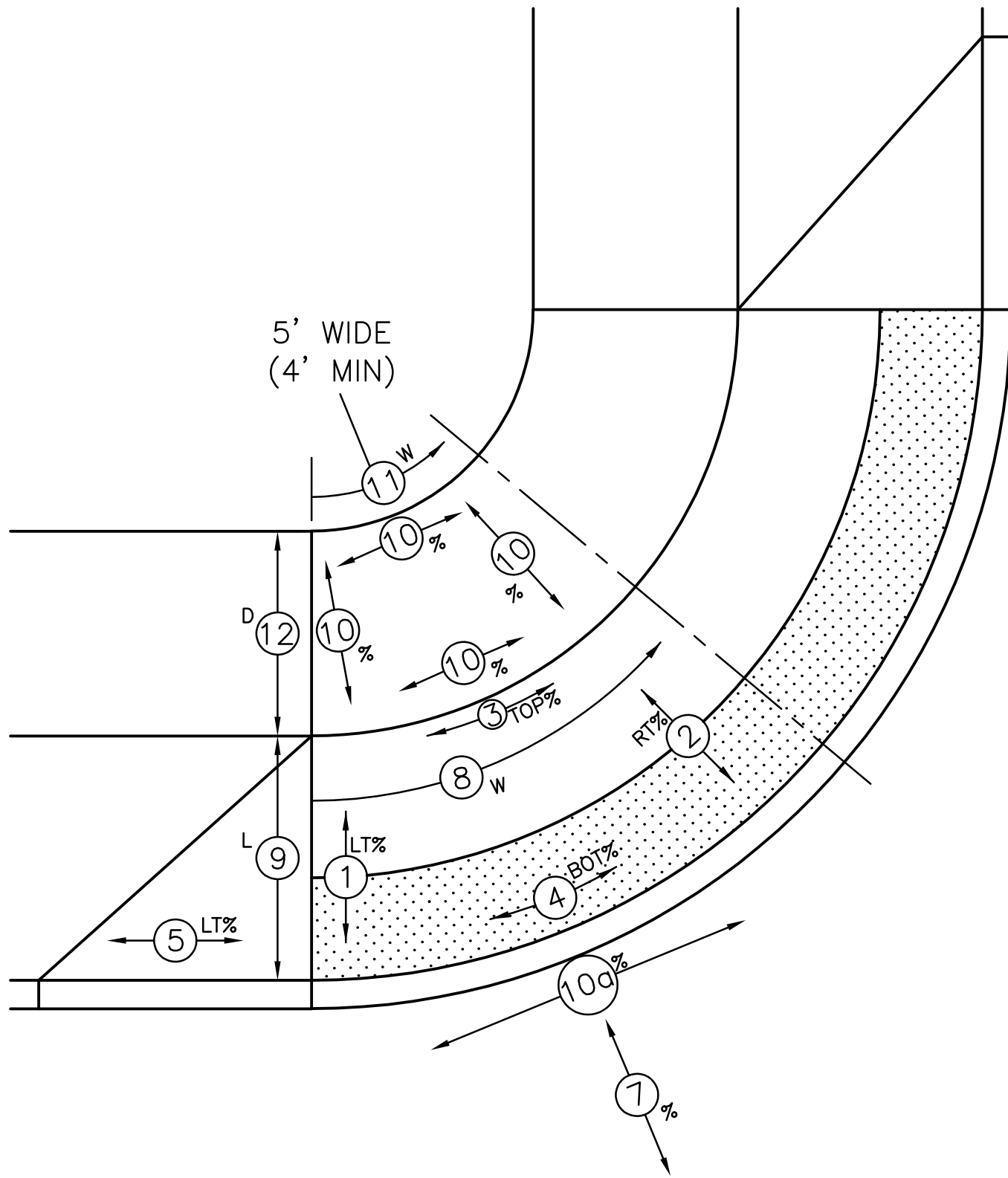


**Curb Ramp Inspection**  
**Blended Transition**  
**Diagram: Type 422g**





2 INSPECTION REPORTS ARE NEEDED FOR EACH SIDE

