



Western Peterbilt W395  
3801 Airport Way South

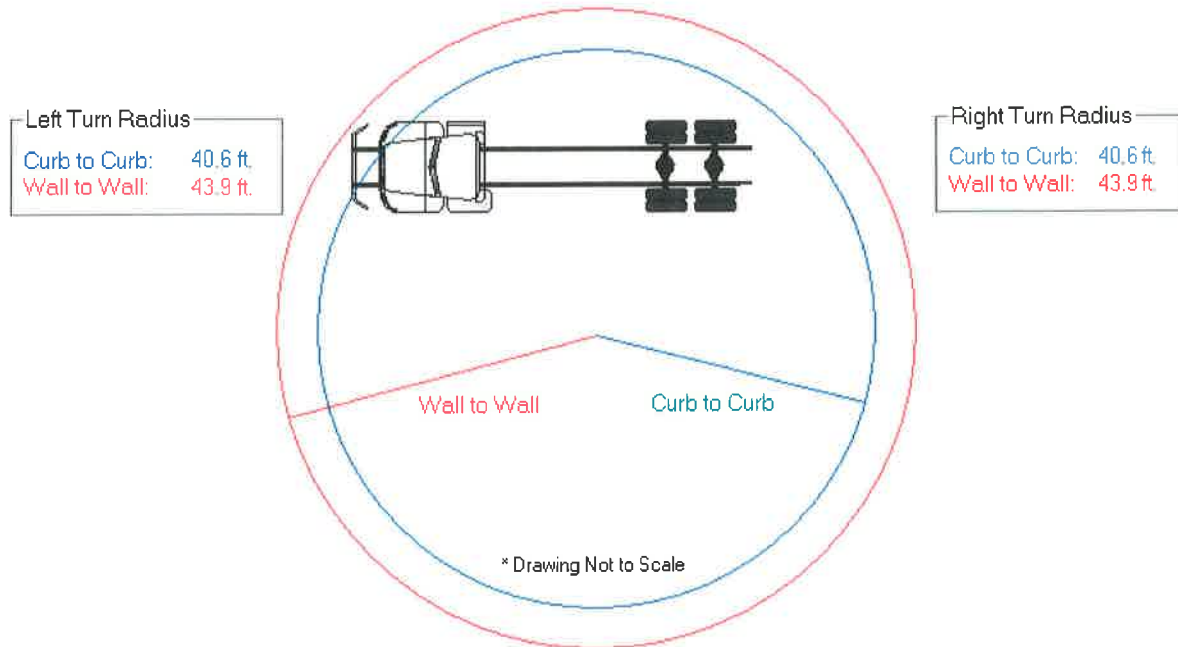
CITY OF SEATTLE  
Box 94689

Seattle, Washington United States 98108  
Phone: (800) 255-7383  
Fax:  
Email:

Seattle, Washington United States 98124  
Phone: (206) 684-0184  
Fax:  
Contact Email:  
Prepared for: Frank Jacobson

## Turning Radius

### Turning Radius Report



Truck: Model 348 / Full Truck	Wheel Base: 292 in.
Axle: Dana Spicer D2000F 20,000 lb, 3.5in Drop	Weight: 66000 lbs.
Tire: FF: MN 20ply 425/65R22.5 XZY-3	
Wheel: FF: Alcoa 823627 LVL1 Pit 22.5X12.25 Alm Whl	
Steering: Power Steering TRW THP60 Dual	Quote/DTPO/CO: Q01039247

Unpublished options may require review/approval.  
Dimensional and performance data for unpublished options may vary from that displayed in PROSPECTOR.

Printed:	4/16/2013 9:49:03 AM	<b>Incomplete</b>	Model Number:	Model 348
Effective Date:	Jan 1, 2013		Quote/DTPO/CO:	Q01039247
Prepared by:	Administrator		Version Number:	26.32